



—产品特性/Feature—

- 220-240VAC (50/60Hz) 输入/220-240VAC (50/60Hz) Input
- 业界首创兼容前切（或后切）宽电压输入可控硅调光，且调光非常流畅，无抖动，无频闪/Isolated, leading (or trailing) triac dimming, dimming much smoothly;
- 实现高PF无频闪，实现了整个调光范围内动态无频闪。Realize high PF without stroboscopic, realize dynamic stroboscopic in the whole dimming range.
- 高效率、高功率因素，稳定性好/ High efficiency, high PF, good steady;
- 独立外置，Class II 恒流类型/ independent, Class II constant current type;
- 短路保护，过流保护，过压保护，过温保护/ short circuit/over load/over current/ over temperature protection;
- 100%满载老化测试/ 100% full load burn-in test;



产品参数/Specification

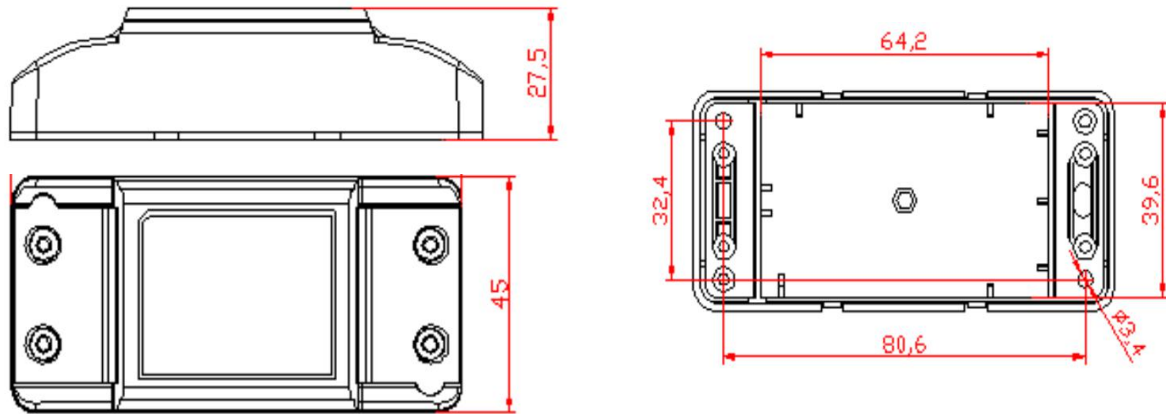
Model		LKAD013V-T	
输入 Input	输入电压范围/Input Voltage range	220-240V	
	频率/Frequency	50/60hz	
	谐波/THD	≤10%	
	功率因数/Power factor	0.8/120VAC	
	输入电流 Input current (mA)	75MA	
	待机功耗 stand_by power	≤0.5W/240VAC	
	浪涌电流 Inrush Current (Max.)	≤15A@240VAC	
	漏电流 Leakage Current	<1MA/240V	
输出 Output	额定电压/Rated voltage	12V	
	空载电压/No-load Voltage	≤12.6V	
	工作电压范围/working voltage range	12V	
	可选择电流规格/selectable current specs	1000mA	
	电流精度/Current precision	(+/-) 5%	
	额定功率/Rated power	12W	
	开机延时/Setup Time	≤0.5s/230VAC	
	输出线性调整率Output Line Regulation	±5%	
	温度漂移temperature drift	±10%	

保护特性	开路保护Output open circuit protection	有 Enable	
	短路保护Short Circuit Protection	打嗝模式/Hiccup mode	
使用环境 Environment Requirements	工作温度/湿度要求 Operating Temp./RH	-30~+45°C/20~95%	
	储存温度,湿度要求 Storage Temp./RH	-40~+80°C/10~95%	
安全和电磁兼容 Safety & EMC	认证编号/Certificate	符合CE	
	耐压 withstand voltage	4KV	
	绝缘阻抗insulation resistance	500V>100M	
	浪涌等级EMS immunity	IEC6100-4-5 (L-N:1KV)	
	安规标准Safety standard	EN61347, GB19510	
	电磁干扰electromagnetic interference	EN55015, EN61000-3-2	
	电磁抗干扰Electromagnetic Susceptibility	EN61000-4-2. 3. 4. 5. 6. 8. 11. EN61547	
其他 Others	IP等级说明 IP level description	IP20	
	质保说明Warranty instructions	3年/3 years	
	尺寸/Size	94*45*27.5	
	重量/Netweight	105g	
注意事项 matters needing attention	<p>1. 建议客户在灯具供电回路中安装过欠压保护与浪涌保护装置, 以确保用电安全 1. pls suggest the client to instal the unde voltage protection device and surge protection device to ensure Electricity safety</p> <p>2. 电源作为整灯灯具中的一个零部件与终端设备结合使用, 因EMC性能受LED灯具及走线的影响, 终端设备制造商需对整套装置重新进行EMC确认。 2. The power supply is considered a component which will be installed a final equipment. The final equipment must be re-confirmed that it still meets EMC directives.</p> <p>3. 客户在使用电源时, 注意电源通风散热和环境温度, 超过TA时要做降额使用 3. Becareful of ambient temperature and heat dissipation during the client use this unit, When exceeding TA, the power supply shall be derated</p>		

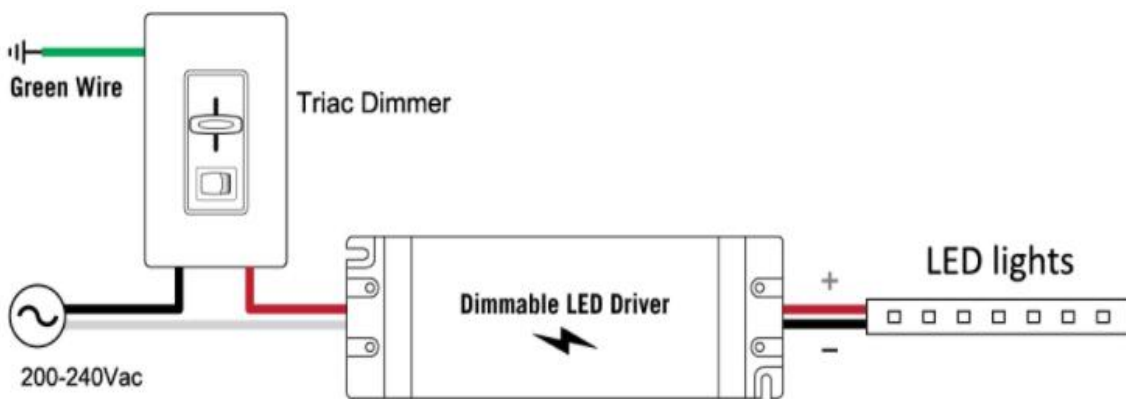
测试数据/Test data

输入电压 Input voltage (Vac)	输入电流 Input current (mA)	输入功率 Input power (W)	功率因数 PF	输出电压 Output voltage (Vdc)	输出电流 Output current (mA)	输出功率 Output Power (W)	转换效率 Efficiency (%)
240V	74.88	14.99	0.833	11.800	1000	11.80	78.7%
	64.48	11.03	0.712	12.200	700	8.54	77.4%
	55.28	8.09	0.610	12.359	500	6.18	76.4%
	35.17	3.44	0.405	12.475	200	2.50	72.5%
	8.82	0.34	0.158	12.496	0	0.00	0.0%
220V	77.42	14.86	0.870	11.690	1000	11.69	78.7%
	70.66	12.35	0.794	12.030	800	9.62	77.9%
	56.46	8.09	0.650	12.358	500	6.18	76.4%
	35.84	3.41	0.432	12.484	200	2.50	73.2%
	8.43	0.31	0.167	12.506	0	0.00	0.0%

产品尺寸图/ Product Size Diagram



产品接线示意图/ Product Connection Diagram



备注/Note:

- "1. 所有没提及到的参数都是在230V输入，额定负载和在周围温度为25°C的情况下测试的；
All parameters NOT specially mentioned are measured at 230VAC input, rated load and 25 of ambient temperature;
- 2.注意接线的方向，不要搞反输入和输出端

广东领冠智能科技有限公司

Guangdong Linkuan Smart Tech Co.,Ltd

地 址：广东省东莞市万江区大莲塘工业区3号
Address: NO.3 Building, Daliantang Industrial Park,
Wanjiang
District,Dongguan,Guangdong,China
Tel:+86-769-23129651 Fax:+86-23129652