

# Triac dimmable 0-10V dimming—LKAD0100V-C

## —产品特性/Feature—



- 200-240VAC (50/60Hz) 输入/ 200-240VAC (50/60Hz) Input
- 隔离方案, 前切 (或后切) 可控硅0-10V调光, 调光非常流畅/Isolation scheme, front cut (or back cut) thyristor 0-10V dimming, very smooth dimming.
- 高效率、高功率因素, 高稳定性, 高调光比  
High efficiency, high power factor, high stability, high light ratio
- 短路保护, 过流保护, 过压保护, 过温保护/  
Short circuit, over current and over temperature protection;
- 防护等级 IP20/ degree of protection IP20;
- 3年质保期/ 3 years warranty.



## 产品参数/Specification

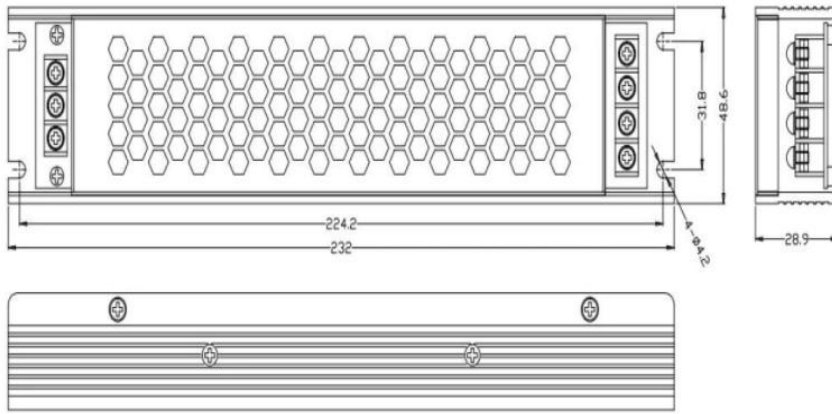
Model		LKAD0100V-C	备注
输入 Input	输入电压范围/Input Voltage range	200-240V	
	频率/Frequency	50/60hz	
	谐波/THD	≤15%	
	功率因数/Power factor	0.65/240VAC	
	输入电流 Input current (mA)	700MA	
	待机功耗 stand_by power	≤0.75W	
	浪涌电流 Inrush Current (Max.)	≤30A@240VAC	
	漏电流 Leakage Current	<1MA/240V	
输出 Output	额定电压/Rated voltage	12V	
	空载电压/No-load Voltage	≤12.6V	
	工作电压范围/working voltage range	12V	
	可选择电流规格/selectable current specs	8A	
	电流精度/Current precision	(+/-) 3%	
	额定功率/Rated power	96W	
	开机延时/Setup Time	≤0.5s/240VAC	
	输出线性调整率Output Line Regulation	± 5%	
	温度漂移temperature drift	± 10%	

保护特性	开路保护Output open circuit protection	有 Enable	
	短路保护Short Circuit Protection	打嗝模式/Hiccup mode	
使用环境 Environment Requirements	工作温度/湿度要求 Operating Temp./RH	-30~+45°C/20~95%	
	储存温度,湿度要求 Storage Temp./RH	-40~+80°C/10~95%	
安全和电磁兼容 Safety & EMC	认证编号/Certificate	符合CE	
	耐压 withstand voltage	4KV	
	绝缘阻抗insulation resistance	500V>100M	
	浪涌等级EMS immunity	IEC6100-4-5(L-N:1KV)	
	安规标准Safety standard	EN61347, GB19510	
	电磁干扰electromagnetic interference	EN55015, EN61000-3-2	
	电磁抗干扰Electromagnetic Susceptibility	EN61000-4-2. 3. 4. 5. 6. 8. 11. EN61547	
其他 Others	IP等级说明 IP level description	IP20	
	质保说明Warranty instructions	3年/3 years	
	尺寸/Size	228*59*29MM	
	重量/Netweight		
注意事项 matters needing attention	<p>1. 建议客户在灯具供电回路中安装过欠压保护与浪涌保护装置, 以确保用电安全 1. pls suggest the client to install the unde voltage protection device and surge protection device to ensure Electricity safety</p> <p>2. 电源作为整灯灯具中的一个零部件与终端设备结合使用, 因EMC性能受LED灯具及走线的影响, 终端设备制造商需对整套装置重新进行EMC确认。 2. The power supply is considered a component which will be installed a final equipment. The final equipment must be re-confirmed that it still meets EMC directives.</p> <p>3. 客户在使用电源时, 注意电源通风散热和环境温度, 超过TA时要做降额使用 3. Becareful of ambient temperature and heat dissipation during the client use this unit, When exceeding TA, the power supply shall be derated</p>		

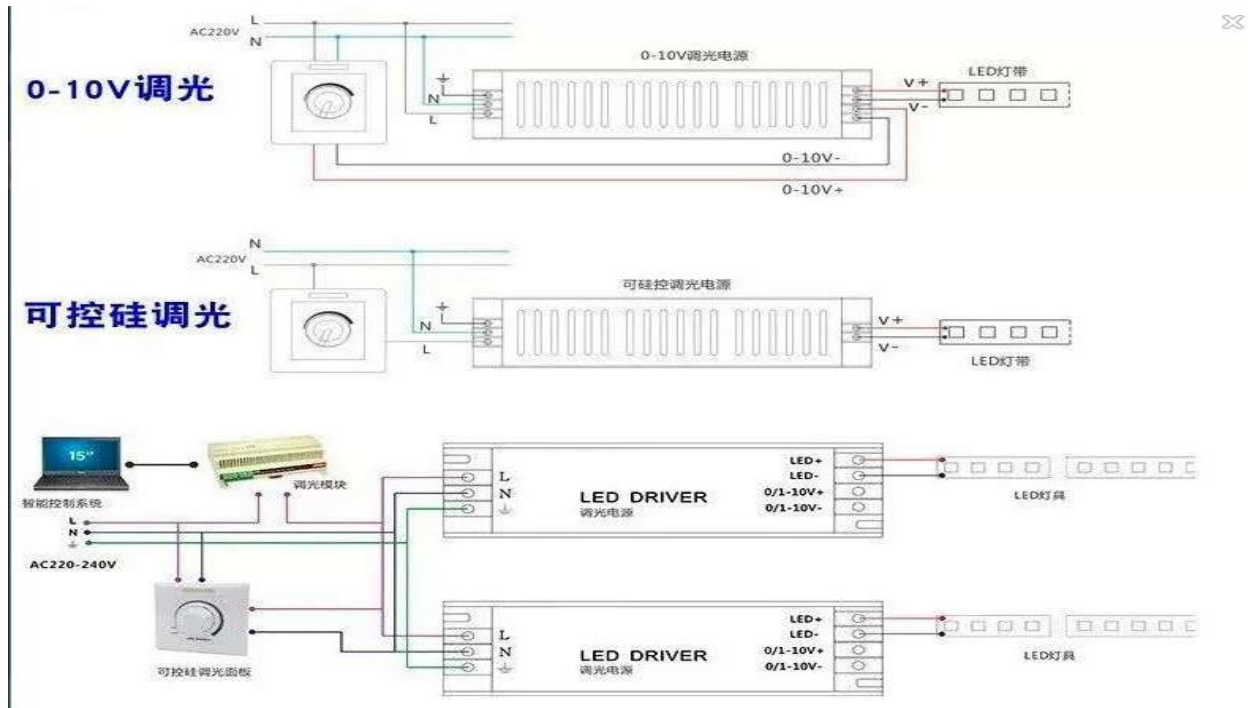
### 测试数据/Test data

输入电压 Input voltage (Vac)	输入电流 Input current (mA)	输入功率 Input power (W)	功率因数 PF	输出电压 Output voltage (Vdc)	输出电流 Output current (mA)	输出功率 Output Power (W)	转换效率 Efficiency (%)
240V	705.20	110.80	0.652	11.84	8000	94.72	85.5%
	546.40	82.93	0.632	11.87	6000	71.22	85.9%
	465.40	69.43	0.620	11.88	5000	59.40	85.6%
	210.30	28.73	0.567	11.93	2000	23.86	83.0%
	118.70	15.25	0.534	11.94	1000	11.94	78.3%
	20.81	1.94	0.384	11.95	0	0.00	0.0%
200V	811.90	111.30	0.675	11.84	8000	94.72	85.1%
	626.30	83.10	0.653	11.87	6000	71.22	85.7%
	529.70	69.02	0.641	11.89	5000	59.45	86.1%
	238.80	28.55	0.587	11.93	2000	23.86	83.6%
	133.90	15.07	0.555	11.95	1000	11.95	79.3%

产品尺寸图/ Product Size Diagram



产品接线示意图: Product wiring diagram



备注/Note:

- 所有没提及到的参数都是在200-240V输入，额定负载和在周围温度为25°C的情况下测试的；  
All parameters NOT specially mentioned are measured at 200-240VAC input, rated load and 25 of ambient temperature;
- 注意接线的方向，不要搞反输入和输出端。  
Pay attention to the direction of wiring, do not reverse the input and output terminals.

广东领冠智能科技有限公司

Guangdong Linkuan Smart Tech Co.,Ltd

地址: 广东省东莞市万江区大莲塘工业区3号  
Address: NO.3 Building, Daliantang Industrial Park,  
Wanjiang  
District, Dongguan, Guangdong, China  
Tel: +86-769-23129651 Fax: +86-23129652