

—产品特性/Feature—



- 100-240VAC (50/60Hz) 输入 / 100-240VAC (50/60Hz) Input;
- 可以通过外加 DALI 主控实现平滑的调光效果。 / It can perform smooth dimming effect through connecting with a DALI main controller.
- 单通道恒流输出; / Single channel constant current output;
- 遵循DALI协议标准 IEC62386; / Follow the DALI protocol of standard IEC62386
- 高效率、高功率因素, 稳定性好 / High efficiency, high PF, good steady;
- 短路保护, 过流保护 / Short circuit/over current protection;
- 100%满载老化测试 / 100% full load burn-in test;
- 独立外置, Class II 恒流类型 / independent, Class II constant current type;
- 防护等级 IP20 / degree of protection IP20;
- 适用于面板灯 / 天花灯 / 筒灯等照明应用 / suitable for LED lighting, ceiling light, down light and panel light;
- 3年质保期 / 3 years warranty.



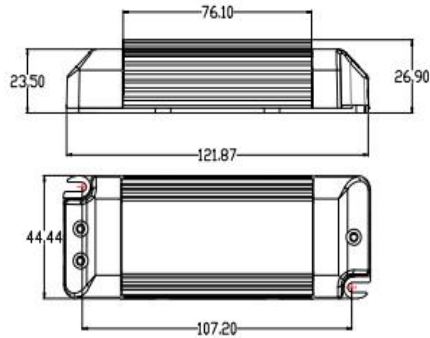
产品参数/Specification

Model		LKAD018D-D	
输入 Input	AC电压范围/AC Voltage range	100-240V	
	频率/Frequency	50/60hz	
	谐波/THD	<10%	
	功率因数/Power factor	0.95/230VAC	
输出 Output	额定电压/Rated voltage	40V	
	空载电压/No-load Voltage	47V	
	DC电压范围/DC voltage range	20-40V	
	DC电流范围/DC current range	570--630mA	
	电流精度/Current precision	±3%	
	额定功率/Rated power	25W	
	开机延时/Setup Time	≤0.5s/230VAC	
使用环境 Environment Requirements	工作温度/湿度要求 Operating Temp./RH	-30~+45℃/20~95%	
	储存温度, 湿度要求 Storage Temp./RH	-40~+80℃/10~95%	
安全和电磁兼容	认证编号/Certificate	----	
其他	尺寸/Size	L122mm*W45mm*H27mm	
	重量/Net weight	80g	

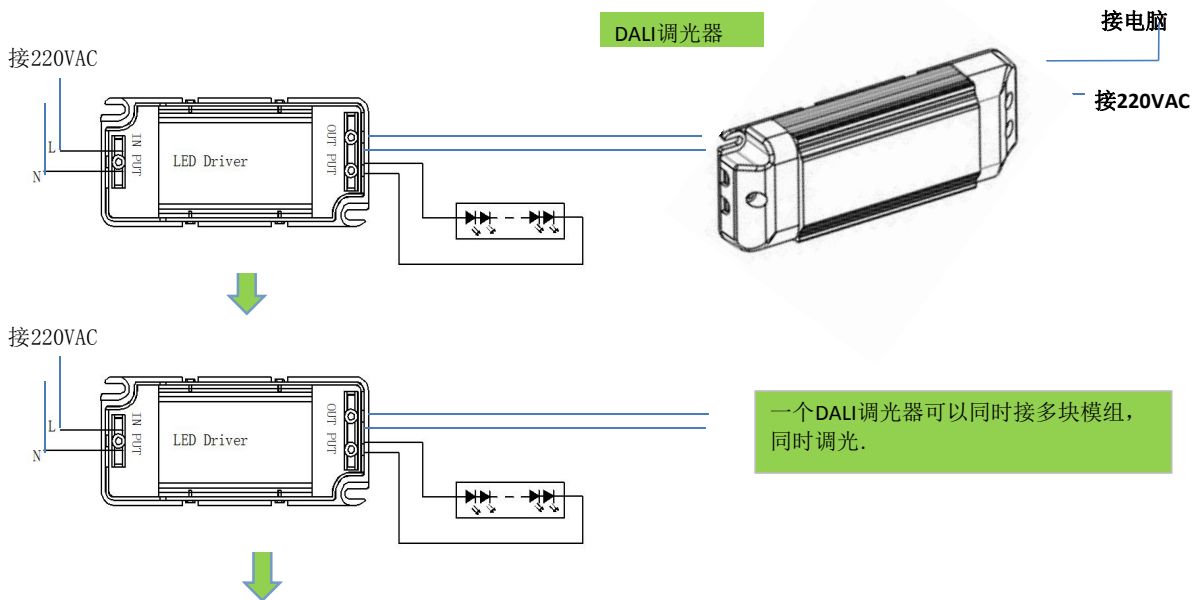
测试数据/Test data

输入电压 Input voltage (Vac)	输入电流 Input current (mA)	输入功率 Input power (W)	功率因数 PF	输出电压 Output voltage (Vdc)	输出电流 Output current (mA)	输出功率 Output Power (W)	转换效率 Efficiency (%)
100	279.80	27.99	0.990	40.00	594	23.76	84.9%
	256.90	25.75	0.990	36.00	600	21.60	83.9%
	218.70	21.95	0.990	30.00	607	18.21	83.0%
120	229.50	27.77	0.990	40.00	594	23.76	85.6%
	213.50	25.56	0.990	36.00	600	21.60	84.5%
	180.10	21.89	0.990	30.00	607	18.21	83.2%
150	183.90	27.62	0.990	40.00	593	23.72	85.9%
	171.00	25.42	0.990	36.00	600	21.60	85.0%
	144.80	21.84	0.990	30.00	607	18.21	83.4%
200	141.00	27.50	0.989	40.00	593	23.72	86.3%
	130.00	25.31	0.986	36.00	600	21.60	85.3%
	112.00	21.71	0.980	30.00	607	18.21	83.9%
240	117.30	27.56	0.976	40.00	593	23.72	86.1%
	109.30	25.39	0.973	36.00	600	21.60	85.1%
	93.60	21.82	0.967	30.00	607	18.21	83.5%
265	108.00	27.67	0.968	40.00	593	23.72	85.7%
	100.00	25.48	0.962	36.00	600	21.60	84.8%
	87.00	21.92	0.954	30.00	607	18.21	83.1%

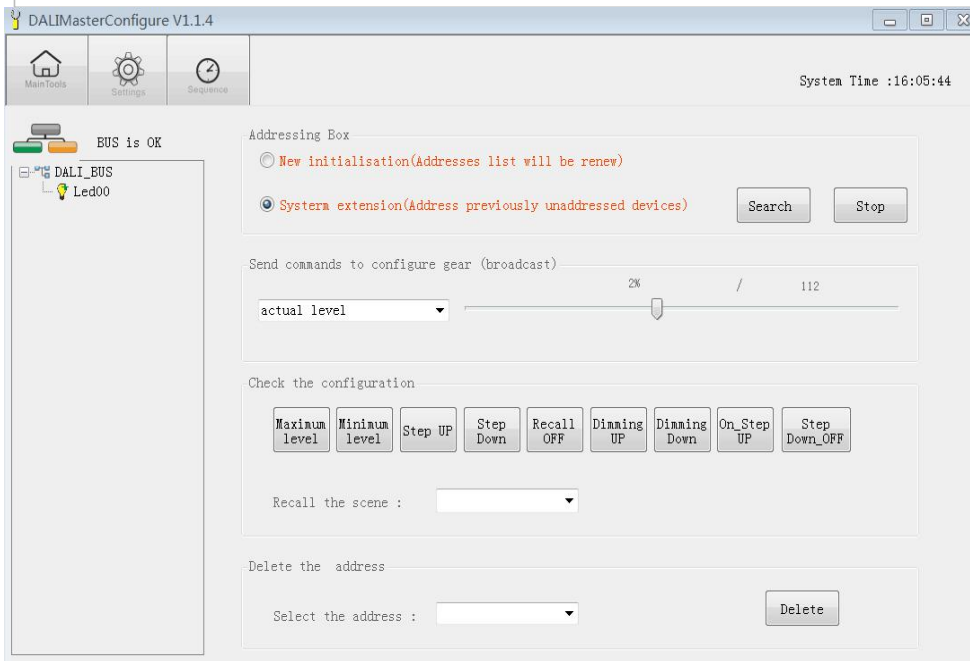
产品尺寸图/ Product Size Diagram



产品接线示意图/ Product Connection Diagram



接线完成后，在电脑上装此软件，运行后通过软件控制开、关、电流。以下为操作截图。



备注/Note:

1. 所有没提及到的参数都是在 230V输入，额定负载和在周围温度为 25°C的情况下测试的；
All parameters NOT specially mentioned are measured at 230VAC input, rated load and 25 of ambient temperature;
2. 本驱动电源是作为一个部件与最终的设备结合进行操作的。因为 EMC的性能在电源完全安装后会受到影响，因此最终设备制造商在完成安装后必须重新获取 EMC指示认定。
The LED driver is considered as a component that will be operated in combination with final equipment. Since EMC performance will be affected by the complete installation, the final equipment manufacturers must re-qualify EMC Directive on the complete installation again.
3. 可以直接与LEDs连接，但不适宜与额外的驱动电源使用；
Direct connecting to LEDs is suggested, but is not suitable for using additional drivers.
4. 为了满足在灯具安装中最后的 Erp校准要求，本驱动电源只能在一个不是永久地连接在交流干线的开关后面使用。
To fulfill requirements of the latest ErP regulation for lighting fixtures, this LED power supply can only be used behind a switch without permanently connect to the mains.

广东领冠智能科技有限公司

Guangdong Linkuan Smart Tech Co.,Ltd.

地址：广东省东莞市万江区大莲塘工业区 3号
Address: NO.3 Building, Daliantang Industrial Park,
Wanjiang District, Dongguan, Guangdong, China
Tel:+86-769-23129651 Fax:+86-23129652