

# 领冠电源 调光专家 随“芯”所调 客户至上



领冠电源

## 0-10V Dimmable LED Drivers—LKAD012V-C



CE RoHS

### —产品特性/Feature—

- 200-277VAC (50/60Hz) 输入 / 200-277VAC (50/60Hz) Input
- 隔离方案, 0-10V调光, 无频闪 / Isolated, 0-10V dimming, no flicker
- 高效率、高功率因素, 稳定性好 / High efficiency, high PF, good steady;
- 短路保护, 过流保护, 过压保护 / short circuit/over load/over current/ ;

调光流畅, 兼容性好 / smooth dimming, good compatibility

- 自然风冷 / cooling by free air convection;
- 100%满载老化测试 / 100% full load burn-in test;
- 独立外置, Class II恒流类型 / independent, Class II constant current type;
- 防护等级 IP20 / degree of protection IP20;
- 适用于面板灯/天花灯/筒灯等照明应用 / suitable for LED lighting, ceiling light, down light and panel light;
- 3年质保期 / 3 years warranty.

### 产品参数/Specification

Model	LKAD012V-C	
输入 Input	AC电压范围/AC Voltage range	200-277V
	频率/Frequency	50/60hz
	谐波/THD	≤8%/230VAC
	功率因数/Power factor	0.5
输出 Output	额定电压/Rated voltage	24V
	空载电压/No-load Voltage	24.5V
	DC电压范围/DC voltage range	24.2-24.29V
	DC电流范围/DC current range	300-600mA
	额定功率/Rated power	14W
	输入纹波/Output ripple	<200mV
	开机延时/Setup Time	≤0.5s/230VAC
使用环境 Environment Requirements	工作温度/湿度要求 Operating Temp./RH	-30~+45℃/20~95%
	储存温度,湿度要求 Storage Temp./RH	-40~+80℃/10~95%
安全和电磁兼容	认证编号/Certificate	IEC61347-2-13 EN6147-2-13 EN55015
	尺寸/Size	L100*W40*H25.5MM
其他	重量/Net weight	/

测试数据/Test data

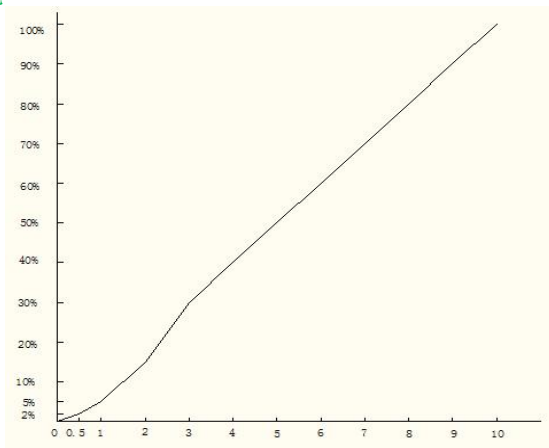
输入电压 Input voltage (Vac)	输入电流 Input current (mA)	输入功率 Input power (W)	功率因数 PF	输出电压 Output voltage (Vdc)	输出电流 Output current (mA)	输出功率 Output Power (W)	转换效率 Efficiency (%)
220V	9.860	0.58	0.265	24.27	0	0.00	0.00%
	84.759	8.84	0.484	24.24	300	7.27	8.58%
	150.800	17.10	0.516	24.20	600	14.52	9.63%
240V	10.210	0.60	0.247	24.29	0	0.00	0.00%
	77.8	8.91	0.475	24.25	300	7.28	9.35%
	110.600	17.17	0.509	24.15	600	14.49	13.10%
265V	10.550	0.61	0.220	24.27	0	0.00	0.00%
	74.220	8.98	0.466	24.24	300	7.27	9.80%
	132.800	17.23	0.507	24.21	600	14.53	10.94%

调光测试数据Dimming test data

输入电压 Input voltage (Vac)	输入电流 Input current (mA)	输入功率 Input power (W)	功率因数 PF	输出电压 Output voltage (Vdc)	输出电流 Output current (mA)	输出功率 Output Power (W)	0-10V电压(V)
230	10.430	0.59	0.233	0.11	0.00	0.00	0
230	12.510	0.87	0.291	12.88	8.00	0.10	0.5
230	16.580	1.32	0.332	13.16	21.00	0.28	1
230	44.700	4.72	0.439	15.36	140	2.15	2
230	57.400	6.31	0.460	16.35	198	3.24	3
230	69.240	7.91	0.467	17.33	275	4.77	4
230	86.550	10.00	0.489	18.65	354	6.60	5
230	103.300	12.32	0.498	19.95	412	8.22	6
230	115.800	14.02	0.499	20.93	492	10.30	7
230	132.900	16.29	0.508	22.22	568	12.62	8
230	137.700	16.84	0.508	23.00	593	13.64	9
230	138.200	16.90	0.509	23.43	605	14.18	10

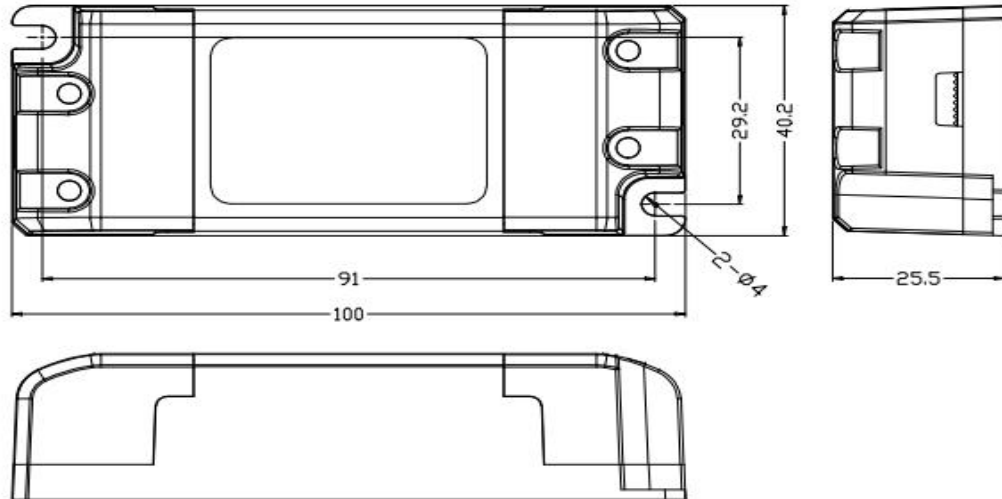
调光曲线图

调光比

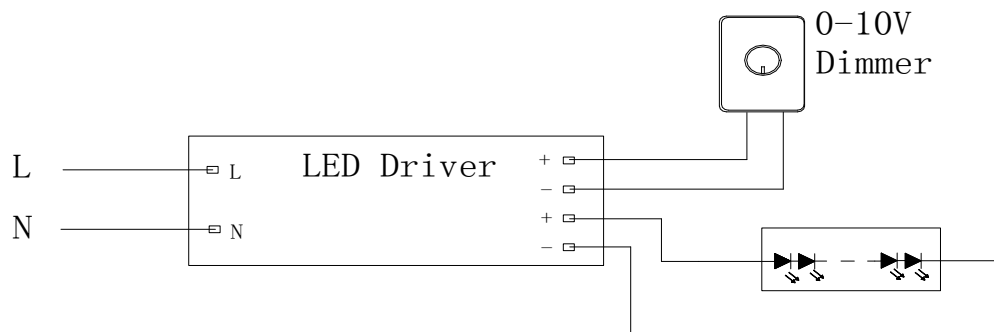


调光信号

## 产品尺寸图/ Product Size Diagram



## 产品接线示意图/ Product Connection Diagram



DIMMER为0-10V输入，蓝色线接调光正极，绿色线接调光负极。  
红色线接负载正极，黑色线接负载负极。

### 备注/Note:

- 所有没提及到的参数都是在230V输入，额定负载和在周围温度为25°C的情况下测试的；  
All parameters NOT specially mentioned are measured at 230VAC input, rated load and 25 of ambient temperature;
- 本驱动电源是作为一个部件与最终的设备结合进行操作的。因为EMC的性能在电源完全安装后会受到影响，因此最终设备制造商在完成安装后必须重新获取EMC指示认定。  
The LED driver is considered as a component that will be operated in combination with final equipment. Since EMC performance will be affected by the complete installation, the final equipment manufacturers must re-qualify EMC Directive on the complete installation again.
- 可以直接与LEDs连接，但不适宜与额外的驱动电源使用；  
Direct connecting to LEDs is suggested, but is not suitable for using additional drivers.
- 为了满足在灯具安装中最后的Erp校准要求，本驱动电源只能在一个不是永久地连接在交流干线的开关后面使用。  
To fulfill requirements of the latest ErP regulation for lighting fixtures, this LED power supply can only be used behind a switch without permanently connect to the mains.

# 广东领冠智能科技有限公司

Guangdong Linkuan Smart Tech Co.,Ltd.

地 址：广东省东莞市万江区大莲塘工业区3号  
Address: NO.3 Building, Daliantang Industrial Park,  
Wanjiang District,Dongguan,Guangdong,China  
Tel:+86-769-23129651 Fax:+86-23129652