



## —产品特性/Feature—

- 200-240VAC (50/60Hz) 输入 / 200-240VAC (50/60Hz) Input
- 隔离方案, 前切 (或后切) 可控硅调光, 调光非常流畅 / Isolated, leading (or trailing) triac dimming, dimming much smoothly;
- 高效率, 稳定性好, 无频闪 / High efficiency, good stability, no strobe
- 变压器铜丝F级, 耐高温155°C / The copper wire of transformer is Grade F, resist high-temperature 155°C
- 独立外置, 恒压类型 / Independent external, constant pressure type
- 短路保护, 过流保护, 过压保护, 过温保护 / short circuit / over load / over current / over temperature protection;
- 100%满载老化测试 / 100% full load burn-in test;
- 防护等级 IP22 / degree of protection IP22;
- 适用于面板灯 / 天花板灯 / 筒灯等照明应用 / suitable for LED lighting, ceiling light, down light and panel light;
- 3年质保期 / 3 years warranty.

## 产品参数/Specification

Model	LKAD026V-TD	
输入 Input	AC电压范围/AC Voltage range	200-240V
	频率/Frequency	50/60hz
	谐波/THD	
	功率因数/Power factor	0.5/230VAC
输出 Output	额定电压/Rated voltage	12V
	空载电压/No-load Voltage	12.3V
	DC电压范围/DC voltage range	11.8-12.3V
	DC电流范围/DC current range	2A
	电压精度/Voltage accuracy	(+/-)3%
	额定功率/Rated power	24W
	开机延时/Setup Time	≤0.5s/230VAC
使用环境 Environment Requirements	工作温度/湿度要求 Operating Temp./RH	-30~+45°C/20~95%
	储存温度, 湿度要求 Storage Temp./RH	-40~+80°C/10~95%
安全和电磁兼容 容	认证编号/Certificate	
其他	尺寸/Size	140*27*44.5
	重量/Net weight	

测试数据/Test data

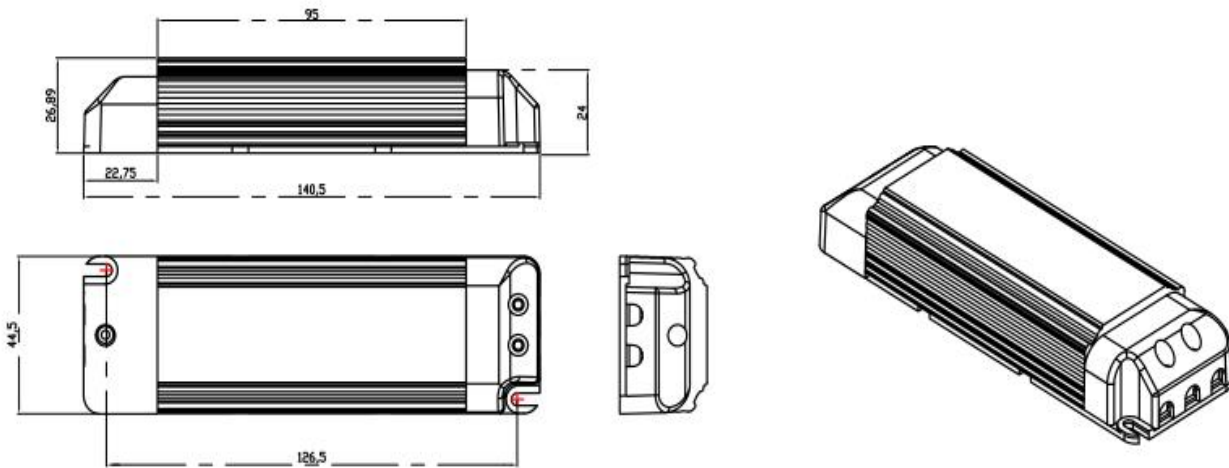
输入电压 Input voltage (Vac)	输入电流 Input current (mA)	输入功率 Input power (W)	功率因数 PF	输出电压 Output voltage (Vdc)	输出电流 Output current (mA)	输出功率 Output Power (W)	转换效率 Efficiency (%)	谐波系数 THD
200	268.00	28.70	0.50	11.90	2A	23.81	82.9%	
	135.20	15.23	0.50	11.94	1A	11.93	78.3%	
240v	222.00	28.90	0.54	11.79	2A	23.56	81.6%	
	122.50	15.46	0.53	11.86	1A	15.37	77.1%	

调光测试效果Dimming effect

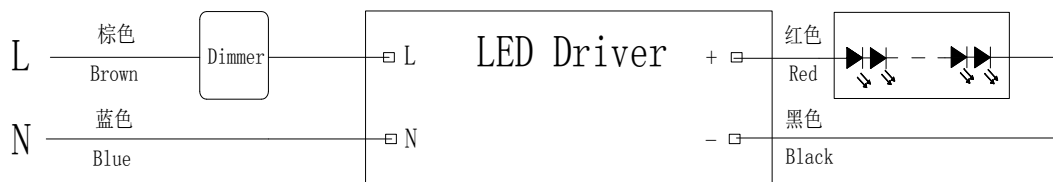
(负载12V测试/Test load voltage 12V)

编号 NO	调光器型号 Dimmer type	最小电流 Min current	最大电流 Max current(mA)	调光比 Dimming ratio	调光效果 Dimming effect
1	威斯堡 (230V~)	0.00	2A	0-100	OK
2	CLIPSAL 250V 2A	0.00	2A	0-100	OK
3	KEYE 220V~	0.00	2A	0-100	OK
4	T & J (200-240V) (25-630W)	0.00	2A	0-100	OK
5	SIEMENS (220V~) (40-500W)	0.00	2A	0-100	OK
6	Leimove (220V~) 630W	0.00	2A	0-100	OK
7	Scrnaideir 220V 300W	0.00	2A	0-100	OK
8	TCL 220V 630W	0.00	2A	0-100	OK

产品尺寸图/ Product Size Diagram



产品接线示意图/ Product Connection Diagram



备注/Note:

1. 所有没提及到的参数都是在220V输入，额定负载和在周围温度为25°C的情况下测试的；  
All parameters NOT specially mentioned are measured at 120VAC input, rated load and 25 of ambient temperature;
2. 本驱动电源是作为一个部件与最终的设备结合进行操作的。因为EMC的性能在电源完全安装后会受到影响，因此最终设备制造商在完成安装后必须重新获取EMC指示认定。  
The LED driver is considered as a component that will be operated in combination with final equipment. Since EMC performance will be affected by the complete installation, the final equipment manufacturers must re-qualify EMC Directive on the complete installation again.
3. 可以直接与LEDs连接，但不适宜与额外的驱动电源使用；  
Direct connecting to LEDs is suggested, but is not suitable for using additional drivers.
4. 为了满足在灯具安装中最后的ErP校准要求，本驱动电源只能在一个不是永久地连接在交流干线的开关后面使用。  
To fulfill requirements of the latest ErP regulation for lighting fixtures, this LED power supply can only be used behind a switch without permanently connect to the mains.

广东领冠智能科技有限公司

Guangdong Linkuan Smart Tech Co.,Ltd.

地 址：广东省东莞市万江区大莲塘工业区3号

Address: NO.3 Building, Daliantang Industrial Park,

Wanjiang District, Dongguan, Guangdong, China

Tel:+86-769-23129651

Fax:+86-23129652