

LKAD041D-L 0-10V调光调色

—产品特性/Feature—

- 200-240VAC (50/60Hz) 电压输入, 符合国际通用交流输入范围/ 200-240VAC (50/60Hz) Input, comply with alternating current input range all over the world;
- 隔离方案, 0-10V调光/ Isolated, non-dimmable driver;
- 高效率、高功率因素, 稳定性好/ High efficiency, high PF, good steady;
- 短路保护, 过流保护, 过压保护, 过温保护/ short circuit/over load/over current/ over temperature protection;
- 自然风冷/ cooling by free air convection;
- 100%满载老化测试/ 100% full load burn-in test;
- 独立外置, Class II 恒流类型/ independent, Class II constant current type;
- 防护等级 IP20/ degree of protection IP20;
- 适用于面板灯/天花灯/筒灯等照明应用/ suitable for LED lighting, ceiling light, down light and panel light;
- 5年质保期/ 5 years warranty.



产品参数/Specification

Model	LKAD041D-L	
输出 Output	电压/Rated voltage	40V
	空载电压/No-load Voltage	45V
	DC电压范围/DC voltage range	24-40V
	DC电流范围/DC current range	1000mA
	电流精度/Current precision	(+/-) 3%
	额定功率/Rated power	40W
	开机延时/Setup Time	
输入 Input	AC电压范围/AC Voltage range	200-240Vac
	频率/Frequency	50/60hz
	谐波/THD	≤15%
	功率因数/Power factor	0.962/230VAC
使用环境 Environment Requirements	工作温度/湿度要求 Operating Temp./RH	-30~+50°C/20~95%
	储存温度, 湿度要求 Storage Temp./RH	-40~+80°C/10~95%
安全和电磁兼容	认证编号/Certificate	IEC61347-2-13 EN6147-2-13
	安全规范/Safety standard	
	电磁兼容/EMC compliance	
	耐压/Withstand voltage	
其他	尺寸/Size	
	重量/Net weight	

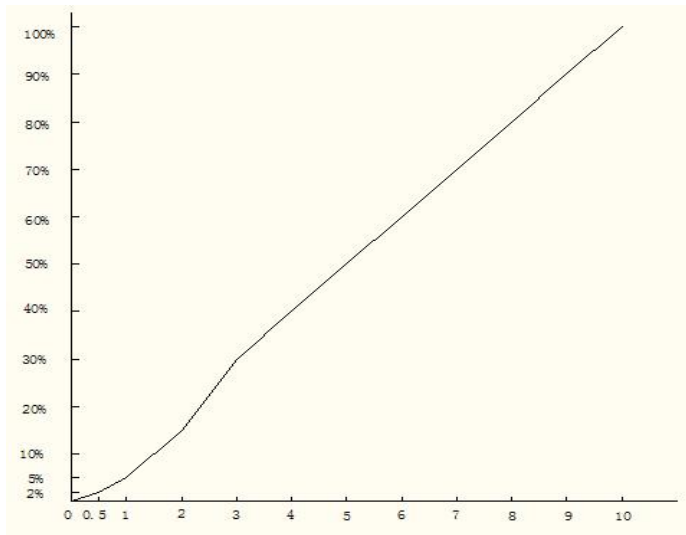
测试数据/Test data

输入电压 Input voltage (Vac)	输入功率 Input power (W)	输入电流 Output current (mA)	功率因数 PF	输出电压 Output voltage (Vdc)	输出电流 Output current (mA)	输出功率 Output Power (W)	转换效率
240	28.05	123.70	0.932	24.000	999.00	23.976	85.48%
	40.99	176.20	0.962	36.000	1002.00	36.072	88.00%
	45.70	196.60	0.968	40.000	1008.00	40.32	88.23%
265	28.11	117.10	0.913	24.000	1001.00	24.024	85.46%
	41.07	164.30	0.948	36.000	1003.00	36.108	87.92%
	45.59	180.80	0.958	40.000	1009.00	40.36	88.53%

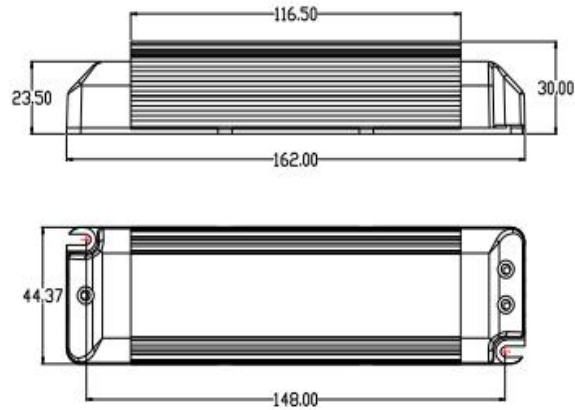
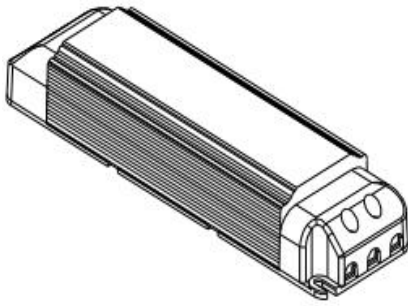
调光测试数据

输入电压	输入电流	输入功率	功率因数	输出电流(mA)	输出电压	输出功率	调光电压 (0-10V)
230	11.56	1.07	0.400	0.00	36	0.00	0
230	25.23	3.38	0.579	52.00	36	1.87	1
230	26.81	3.57	0.583	58.00	36	2.09	2
230	71.27	14.15	0.864	325.00	36	11.70	3
230	91.07	18.78	0.900	442.00	36	15.91	4
230	109.40	23.01	0.923	552.00	36	19.87	5
230	129.80	27.69	0.945	671.00	36	24.16	6
230	149.40	32.39	0.956	791.00	36	28.48	7
230	169.20	36.84	0.962	904.00	36	32.54	8
231	186.30	41.01	0.97	1010.00	36	36.36	9
232	211.50	46.08	0.977	1138.00	36	40.97	10

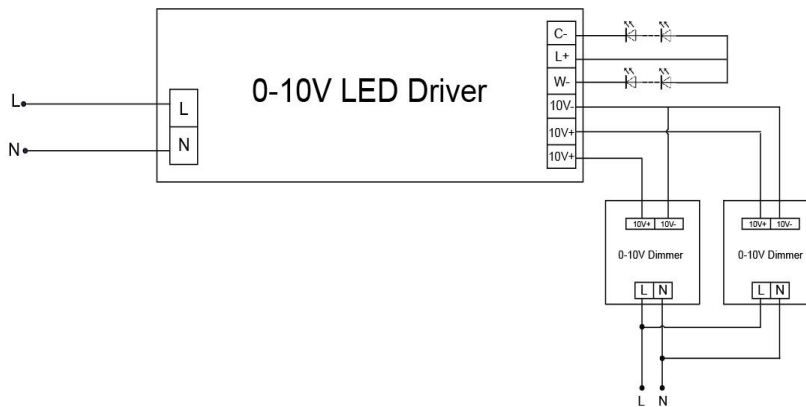
调光曲线图



安装尺寸图/Install Size Diagram



产品接线示意图/ Product Connection Diagram



备注/Note:

1. 所有没提及到的参数都是在230V输入，额定负载和在周围温度为25℃的情况下测试的；
All parameters NOT specially mentioned are measured at 230VAC input, rated load and 25 of ambient temperature;
2. 本驱动电源是作为一个部件与最终的设备结合进行操作的。因为EMC的性能在电源完全安装后会受到影响，因此最终设备制造商在完成安装后必须重新获取EMC指示认定。
The LED driver is considered as a component that will be operated in combination with final equipment. Since EMC performance will be affected by the complete installation, the final equipment manufacturers must re-qualify EMC Directive on the complete installation again.
3. 可以直接与LEDs连接，但不适宜与额外的驱动电源使用；
Direct connecting to LEDs is suggested, but is not suitable for using additional drivers.
4. 为了满足在灯具安装中最后的Erp校准要求，本驱动电源只能在一个不是永久地连接在交流干线的开关后面使用。
To fulfill requirements of the latest ErP regulation for lighting fixtures, this LED power supply can only be used behind a switch without permanently connect to the mains.

广东领冠智能科技有限公司

Guangdong Linkuan Smart Tech Co.,Ltd.

地址：广东省东莞市万江区大莲塘工业区3号
Address: NO.3 Building, Daliantang Industrial Park,
Wanjiang District, Dongguan, Guangdong, China
Tel:+86-769-23129651 Fax:+86-23129652