

# 领冠电源 调光专家 随“芯”所调 客户至上



## -10V Dimmable LED Drivers—LKAD015D-C

### —产品特性/Feature—

- 220-240VAC (50/60Hz) 输入 / 220-240VAC (50/60Hz) Input
- 隔离方案, 0-10V调光, 无频闪 / Isolated, 0-10V dimming, no flicker
- 高效率、高功率因素, 稳定性好 / High efficiency, high PF, good steady;
- 短路保护, 过流保护, 过压保护 / short circuit/over load/over current/ ;

调光流畅, 兼容性好 / smooth dimming, good compatibility

- 自然风冷 / cooling by free air convection;
- 100%满载老化测试 / 100% full load burn-in test;
- 独立外置, Class II 恒流类型 / independent, Class II constant current type;
- 防护等级 IP20 / degree of protection IP20;
- 适用于面板灯/天花灯/筒灯等照明应用 / suitable for LED lighting, ceiling light, down light and panel light;
- 3年质保期 / 3 years warranty.



### 产品参数/Specification

Model	LKAD015D-C	
输入 Input	AC电压范围/AC Voltage range	220-240V
	频率/Frequency	50/60hz
	谐波/THD	≤10%/230VAC
	功率因数/Power factor	0.96
输出 Output	额定电压/Rated voltage	42V
	空载电压/No-load Voltage	48V
	DC电压范围/DC voltage range	20-42V
	DC电流范围/DC current range	320mA
	电流精度/Current precision	(+/-) 5%
	额定功率/Rated power	13W
	输入纹波/Output ripple	<200mV
开机延时/Setup Time	≤0.5s/230VAC	
使用环境 Environment Requirements	工作温度/湿度要求 Operating Temp./RH	-30~+45℃/20~95%
	储存温度, 湿度要求 Storage Temp./RH	-40~+80℃/10~95%
安全和电磁兼容	认证编号/Certificate	IEC61347-2-13 EN6147-2-13
		EN55015
		Fcc Part15B
其他	尺寸/Size	102x44x26mm
	重量/Net weight	/

测试数据/Test data

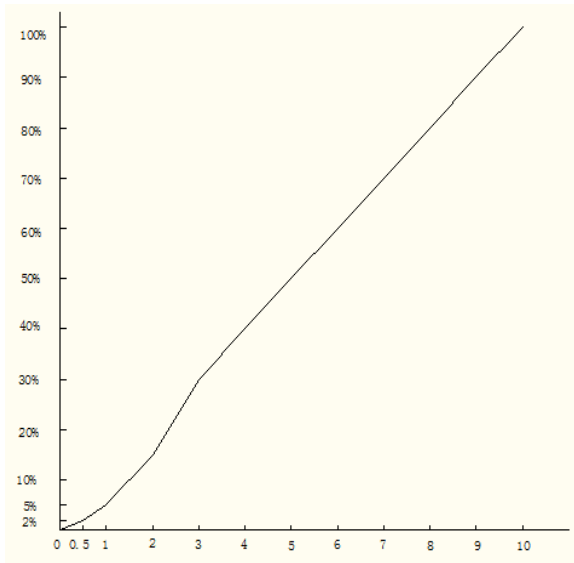
输入电压 Input voltage ( Vac)	输入电流 Input current ( mA)	输入功率 Input power ( W)	功率因数 PF	输出电压 Output voltage ( Vdc)	输出电流 Output current ( mA)	输出功率 Output Power ( W )	转换效率 Efficiency (%)
200V	40.27	8.39	0.94	20.00	323.00	6.46	77.00%
	60.59	12.96	0.97	35.00	303.70	10.63	82.02%
	66.63	15.10	0.97	42.00	298.00	11.92	82.89%
240V	37.33	8.37	0.91	20.00	324.00	6.48	77.42%
	56.00	13.24	0.96	36.00	304.00	10.94	82.66%
	63.00	14.98	0.96	42.00	300.00	12.60	84.11%
265V	38.00	8.40	0.92	20.00	322.80	6.45	76.86%
	55.92	12.98	0.96	35.00	303.60	10.63	81.86%
	59.36	14.99	0.96	42.00	299.00	12.55	83.78%

调光测试数据Dimming test data

输入电压 Input voltage ( Vac)	输入电流 Input current ( mA)	输入功率 Input power ( W)	功率因数 PF	输出电压 Output voltage ( Vdc)	输出电流 Output current ( mA)	输出功率 Output Power ( W )	调光电压 Dimming voltage ( V)
240V	12.28	0.96	0.30	0.00	0.00	0.00	0
	13.50	1.08	0.30	28.79	1.00	0.00	0.5
	13.75	1.11	0.31	29.68	2.00	0.00	1
	14.22	1.72	0.46	30.87	15.00	0.61	2
	17.10	2.66	0.59	31.56	43.00	1.37	3
	20.32	3.78	0.70	32.06	75.00	2.84	4
	23.85	4.94	0.78	32.46	107.00	4.32	5
	28.26	6.32	0.84	32.86	144.00	5.84	6
	33.00	7.70	0.88	33.22	181.00	7.40	7
	38.20	9.20	0.91	33.56	218.00	9.00	8
	43.30	10.65	0.93	33.87	254.00	10.72	9
49.80	12.45	0.94	34.32	300.00	12.17	10	

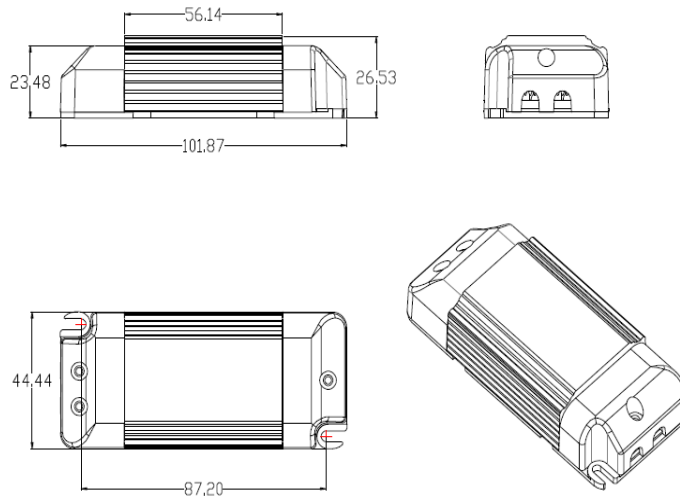
调光曲线图

调光比

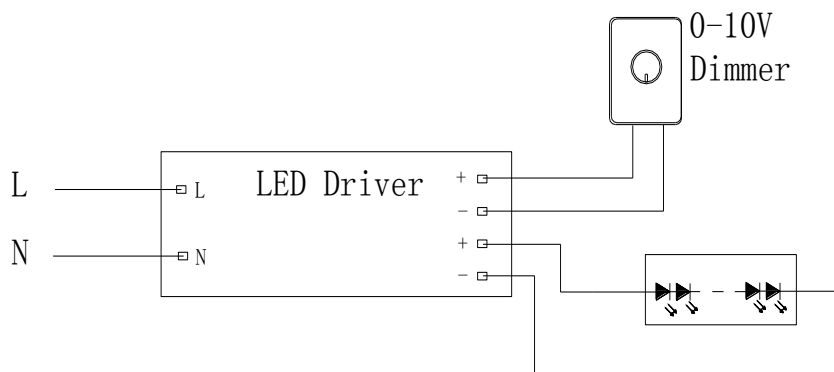


调光信号

产品尺寸图/ Product Size Diagram



### 产品接线示意图/ Product Connection Diagram



DIMMER为0-10V输入，蓝色线接调光正极，绿色线接调光负极。  
红色线接负载正极，黑色线接负载负极。

### 备注/Note:

- 所有没提及到的参数都是在230V输入，额定负载和在周围温度为25℃的情况下测试的；  
All parameters NOT specially mentioned are measured at 230VAC input, rated load and 25 of ambient temperature;
- 本驱动电源是作为一个部件与最终的设备结合进行操作的。因为EMC的性能在电源完全安装后会受到影响，因此最终设备制造商在完成安装后必须重新获取EMC指示认定。  
The LED driver is considered as a component that will be operated in combination with final equipment. Since EMC performance will be affected by the complete installation, the final equipment manufacturers must re-qualify EMC Directive on the complete installation again.
- 可以直接与LEDs连接，但不适宜与额外的驱动电源使用；  
Direct connecting to LEDs is suggested, but is not suitable for using additional drivers.
- 为了满足在灯具安装中最后的ErP校准要求，本驱动电源只能在一个不是永久地连接在交流干线的开关后面使用。  
To fulfill requirements of the latest ErP regulation for lighting fixtures, this LED power supply can only be used behind a switch without permanently connect to the mains.

**东莞市领冠半导体照明有限公司**

**Dongguan Linkuan Semiconductor Lighting Co.,Ltd**

地 址：广东省东莞市万江区大莲塘工业区3号  
Address: NO.3 Building, Daliantang Industrial Park,  
Wanjiang District,Dongguan,Guangdong,China  
Tel:+86-769-23129651 Fax:+86-23129652